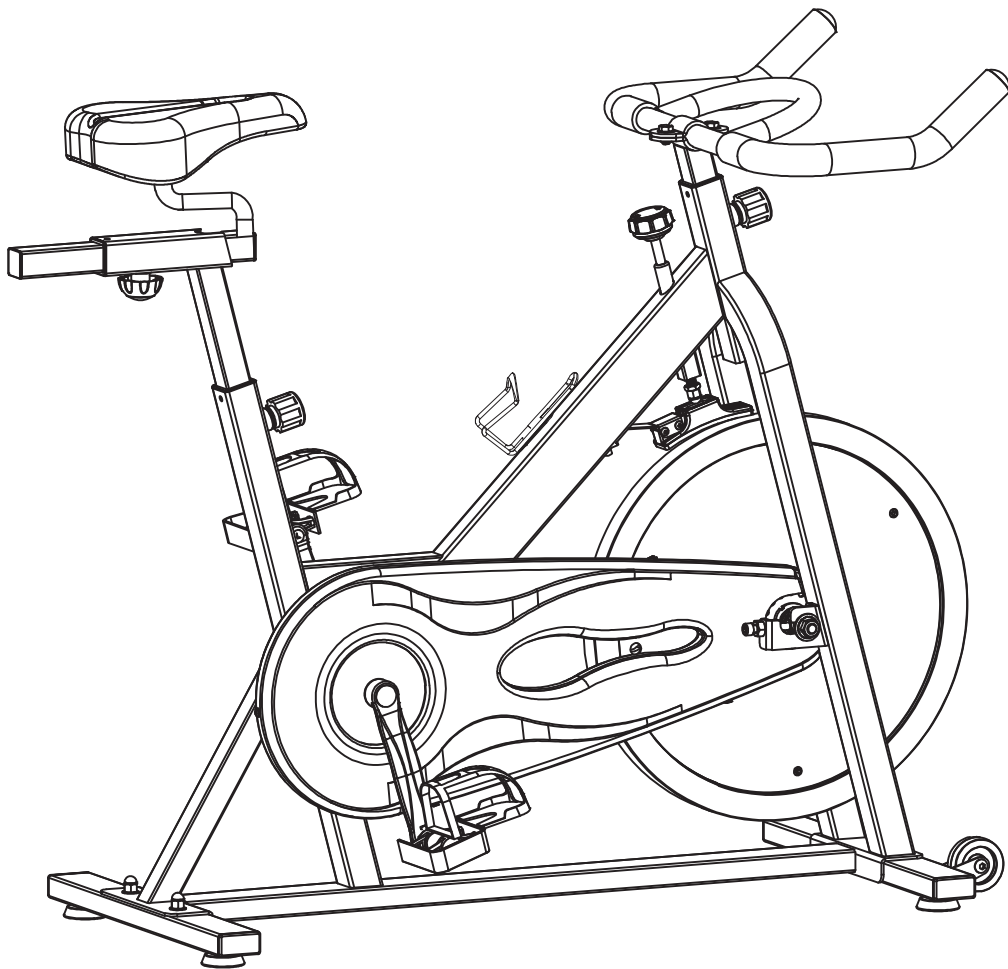
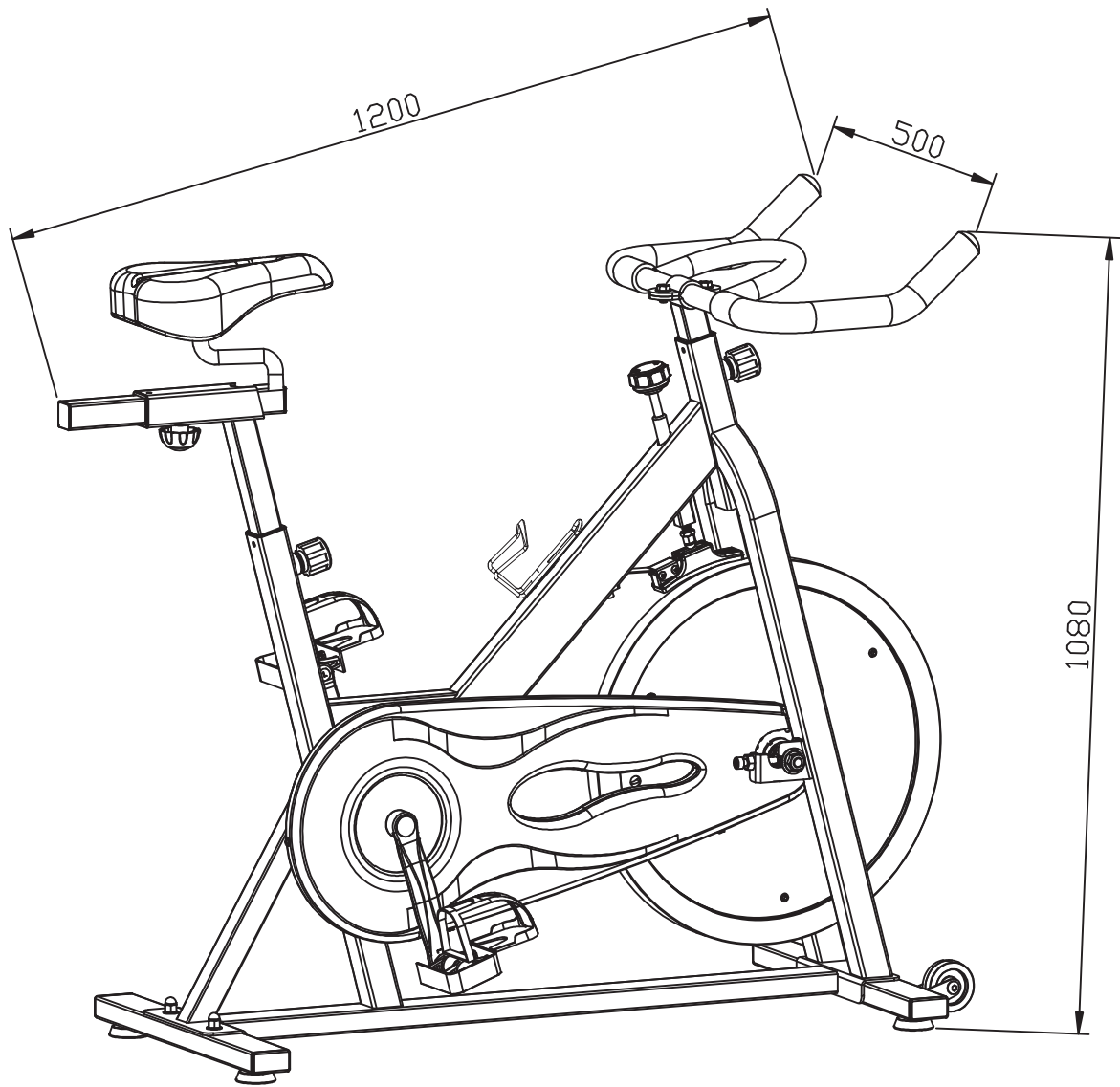


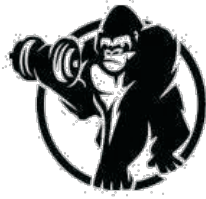
# GORILLA SPORTS

INDOOR CYCLING BIKE (100618)



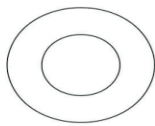


MAXIMUM LOAD:110KGS



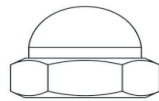
# GORILLA SPORTS

Washer: (  $\varnothing 8$  )



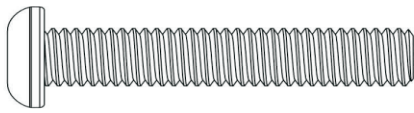
6X

Domed Nuts: ( M8 )



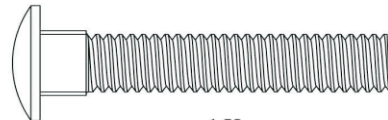
2X

Bolts: ( M8  $\times$  35 )



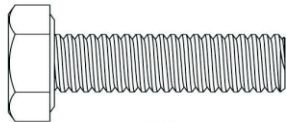
1X

Bolts: ( M8  $\times$  35 )



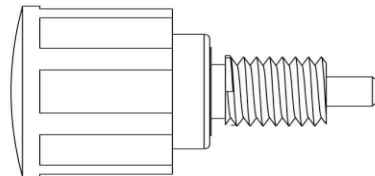
1X

Hex Bolts: ( M8  $\times$  16 )



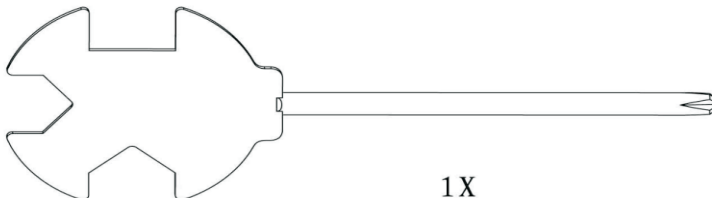
1X

Adjusting Knob: ( M16 )



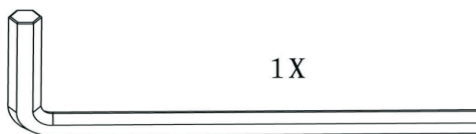
1X

Spanner



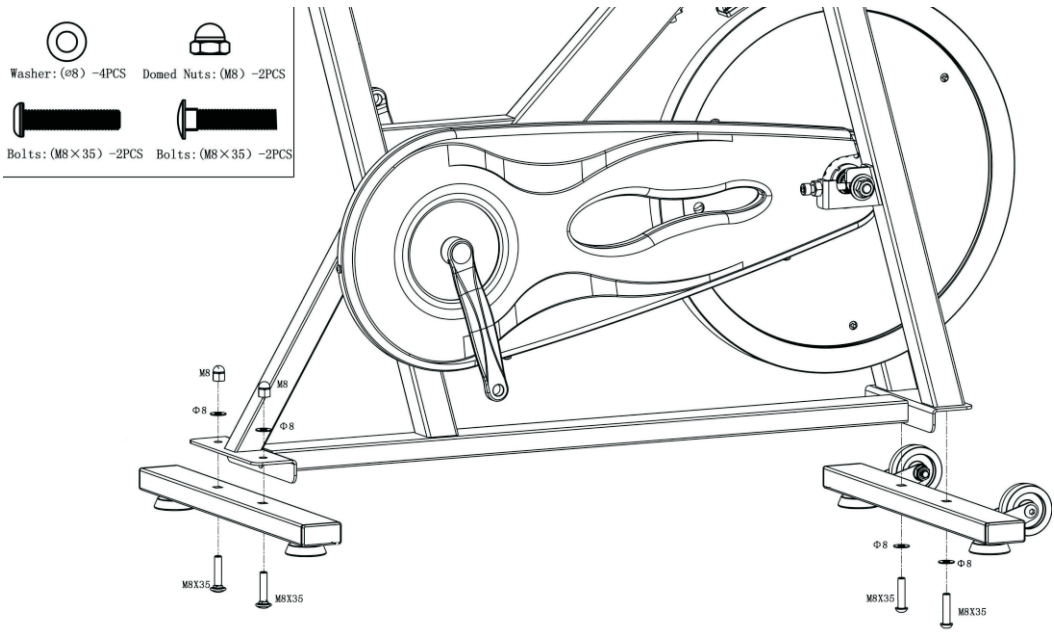
1X

Hex Wrener

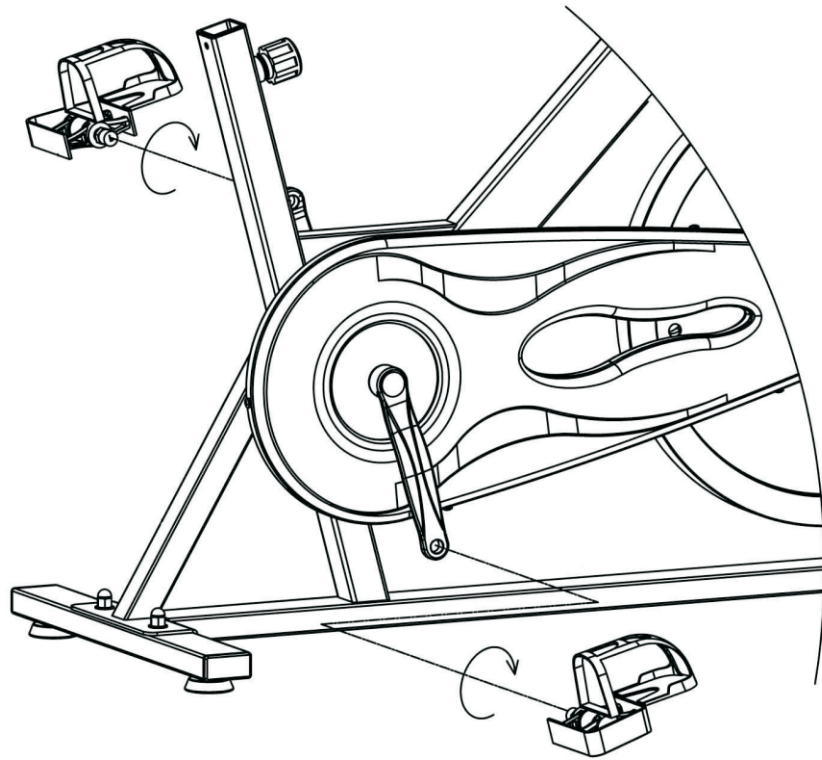


1X

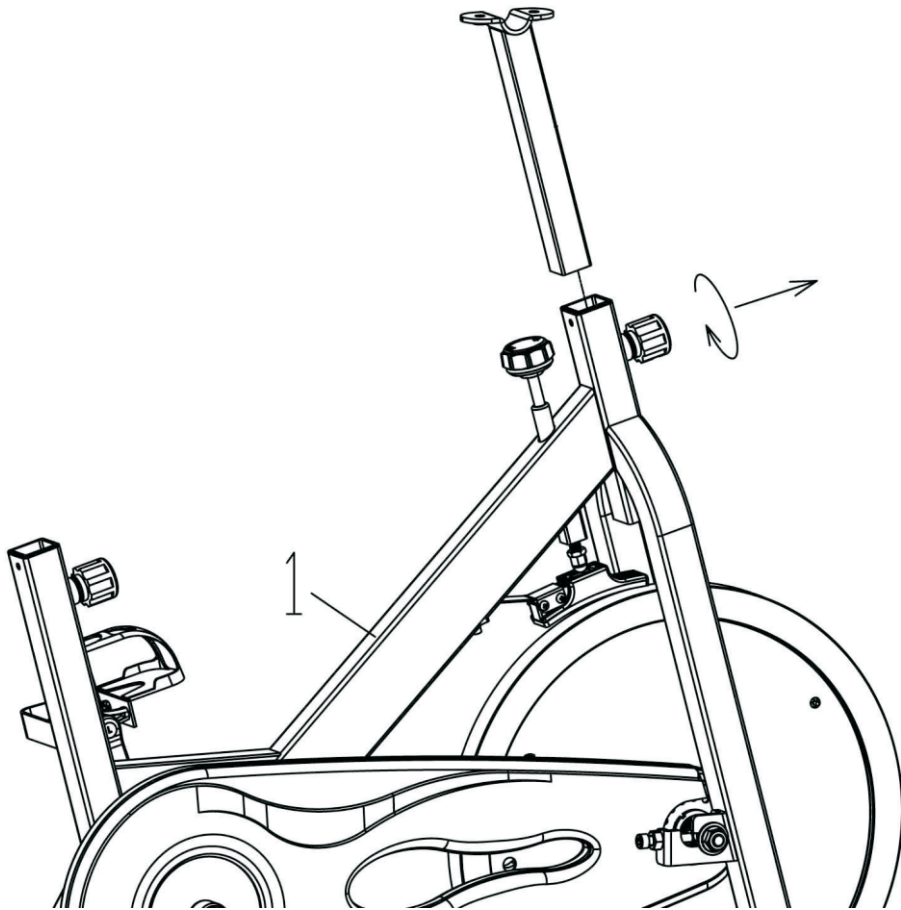
# 1



2



3



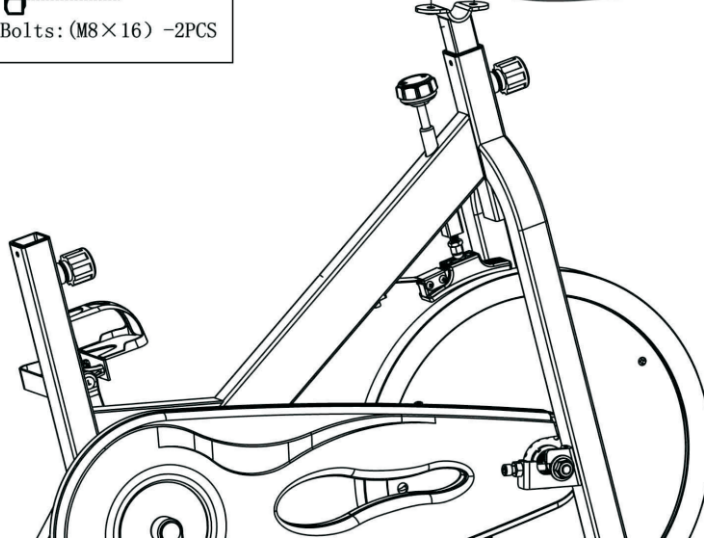
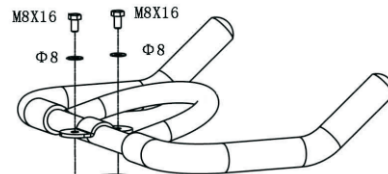
4



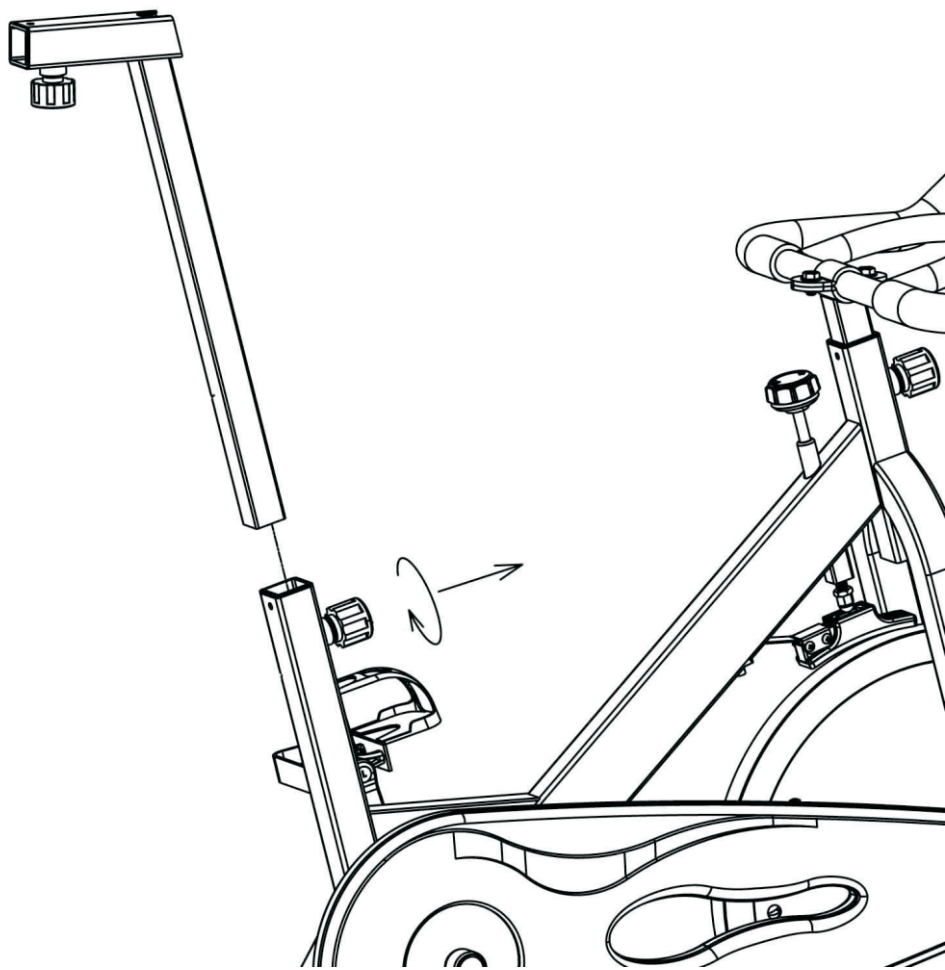
Washer: ( $\varnothing 8$ ) -2PCS



Hex Bolts: (M8×16) -2PCS

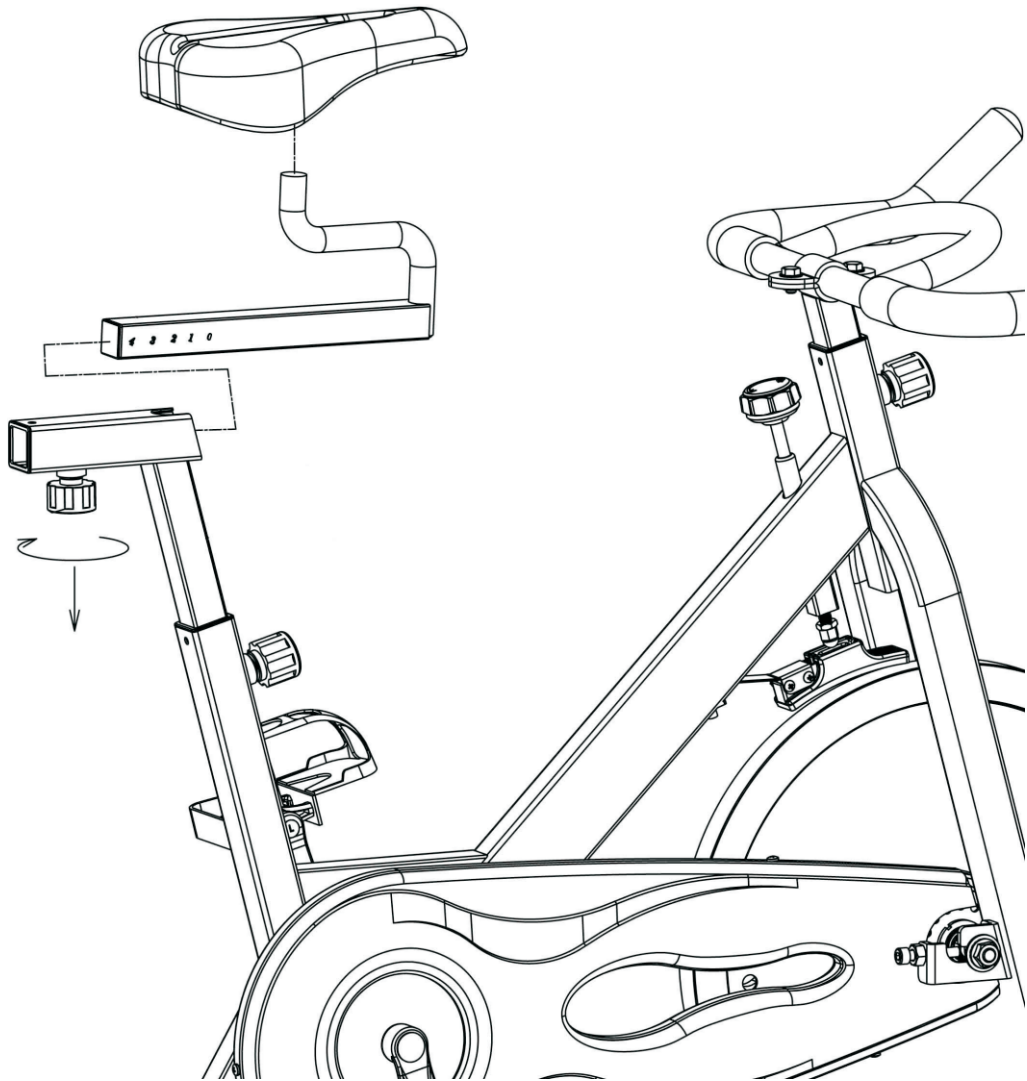


5

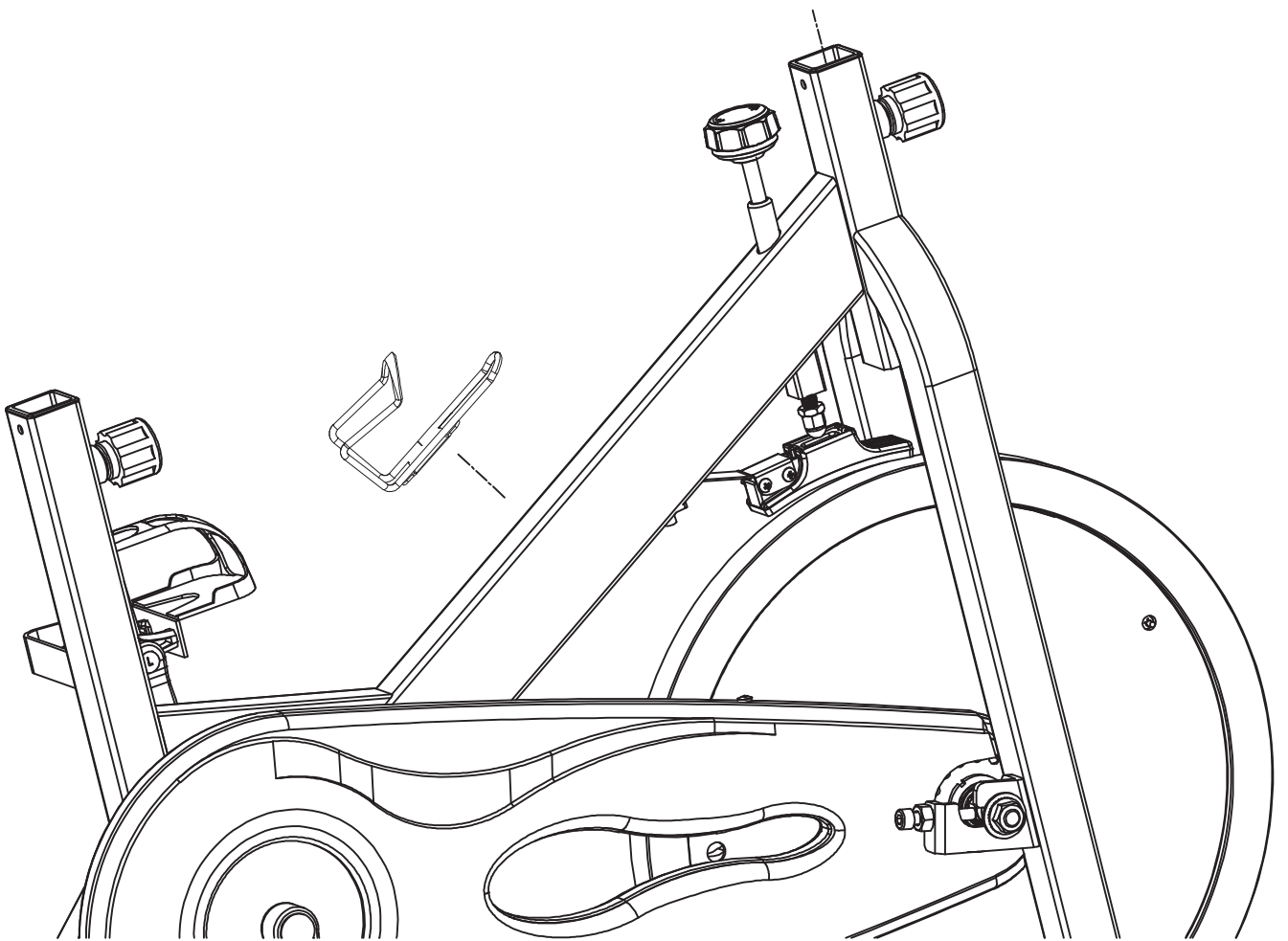


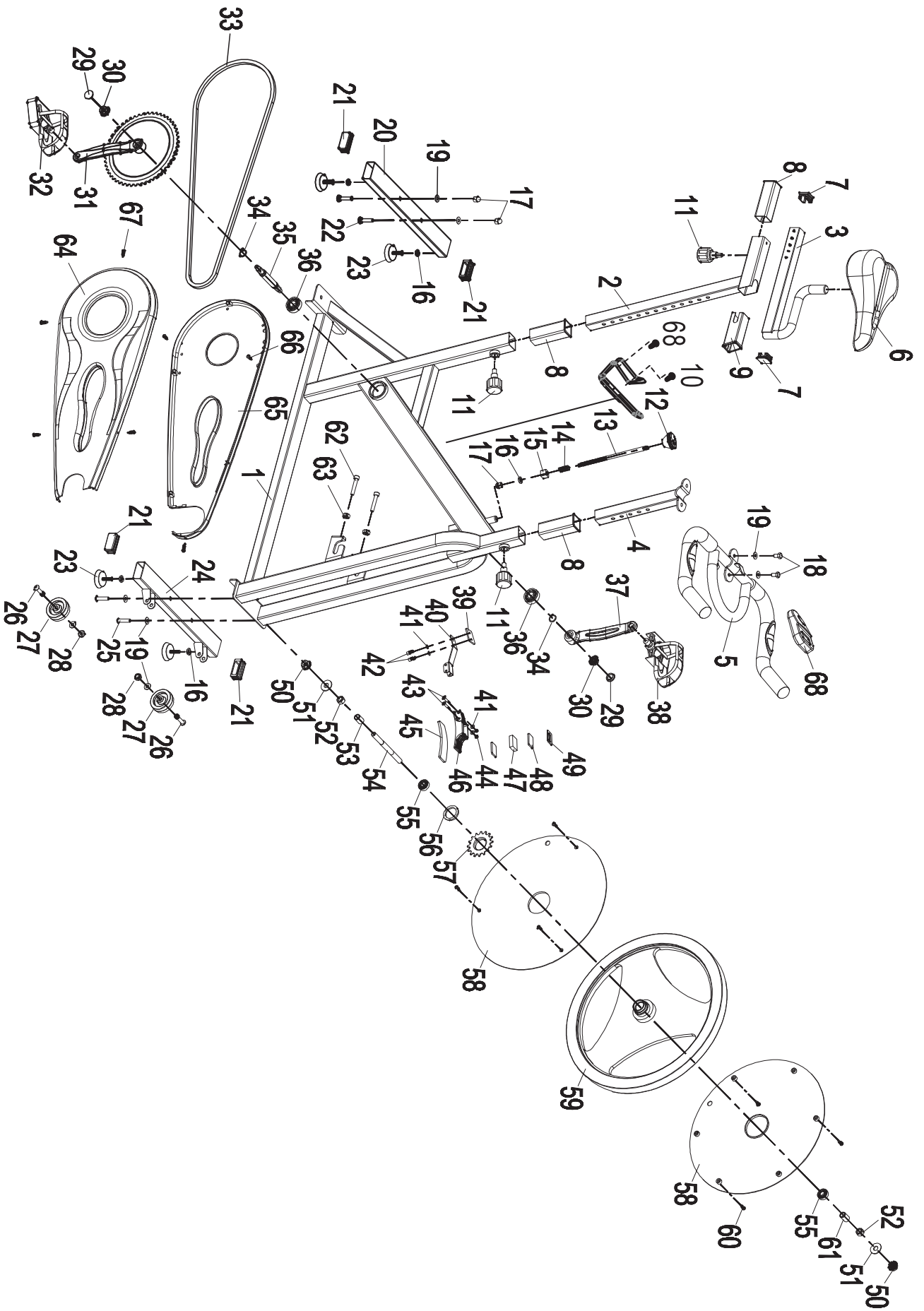


6



7





## PARTS LIST

NO.	NAME	SPECIFICATION	QTY
1	Main frame		1
2	Seat post		1
3	Seat sliding post		1
4	Handlebar post		1
5	Handlebar		1
6	Saddle		1
7	Tube plug	Meet 30*30*1.5T	2
8	Bushing	Meet 38*38*1.5T* INNER 30*30	3
9	Washer	φ25*φ10*1.5T	1
10	Screw	M5*16L	2
11	Knob	M16*P1.5*20	3
12	Resistance knob	M8	1
13	Resistance pole	M10*P1.5*200L	1
14	Compression spring	φ12.4*φ1.5*27L	1
15	Compression nut	M10*P1.5*16*16*15L	1
16	Nut	M8	5
17	Cup nut	M8	3
18	Bolt	M8*16L	2
19	Washer	φ16*φ8.5*1.5T	8
20	Rear stabilizer	■25*50*1.5T*430	1
21	Tube plug	Meet 25*50*1.5T	4
22	Bolt	M8*35 S=20	2
23	Adjusting pad	M8*25L	4
24	Front stabilizer	■25*50*1.5T*430	1
25	Bolt	M8*35LS=20 (	2
26	Bolt	M8*40L S=20	2
27	Transportation wheel		2
28	Nylon nuts	M8	2
29	Crank cover		2
30	Hexagon flange nut	M10*P1.25*8.5H*S14	2
31	Right crank + sprocket wheel	165(9/16")/(52ages)	1
32	Right pedal		1

33	Chain	d=7.11 p=12.7 112 PCS	1
34	C-clip	Meet $\phi$ 17	2
35	Crank shaft	M10* $\phi$ 17*136.4L	1
36	Bearing	6203-2RS	2
37	Left crank	165(9/16")	1
38	Left pedal		1
39	Eva pad		1
40	Break fix metal	1.3T	1
41	Washer	$\phi$ 5* $\phi$ 10*1T	4
42	Bolt	M5*16	2
43	Bolt	M5*30	2
44	Nylon nuts	M5	2
45	Felted wool	woolen	1
46	Resistance adjusting set	ABS	1
47	EVA pad		1
48	Break pad		2
49	Break block	34.5*23.5*2.0	1
50	Hexagon flange nut	M12*P1.25	2
51	Big washer	$\phi$ 30* $\phi$ 12.5*2.0	2
52	Nut	M12*P1.25*10T	2
53	Long spacer sleeve	$\phi$ 16* $\phi$ 12.2*19L	1
54	Flywheel shaft	$\phi$ 12*153*M12*P1.25	1
55	Bearing	6001RS	2
56	Locking ring	$\phi$ 42*5.0	1
57	Small sprocket	$\phi$ 65.13*16age	1
58	Flywheel cover	288*2.5T	2
59	Flywheel		1
60	Screw	ST3.5*12L	6
61	Short spacer sleeve	$\phi$ 16* $\phi$ 12.2*17L	1
62	Bolt	M6*45	2
63	Nut	M6	2
64	Out chain cover		1
65	Inner chain cover		1
66	Screw	ST4.2*16 head $\phi$ 8	3
67	Screw	ST4.2*16L	6
68	Bottle cage 201	148.5*88*79.7	1