

Container Rig 20' 5 section

Art.no. 3085338



ELEIKO

READ BEFORE INSTALLATION AND USE

CAUTION

The equipment must be installed and used in a place whose access and supervision are specifically controlled by the owner.

Be sure to install the equipment on a stable base and properly level the equipment. ELEIKO recommends that all equipment is secured to floor and installed by a licensed contractor or an ELEIKO-installer.

SAFETY INSTRUCTIONS

It is the responsibility of the purchaser of ELEIKO products to instruct all users and supervising personnel on proper usage of the equipment.

1. All included warnings (labels) and instructions **MUST** be read before the use of any ELEIKO-equipment. Use each equipment as it is intended for.
2. A user **MUST** get a medical examination and proper instructions before the use of any ELEIKO-equipment.
3. **DO NOT** let anyone, under any circumstances, use equipment that appears to be damaged. Do not try to repair any equipment before consulting an ELEIKO technician.
4. **DO NOT** replace the components of ELEIKO-equipment with other none ELEIKO-equipment (magnetic safety pin, frames, bars), do not improvise. If there are any doubts consult an ELEIKO representative prior to any intervention.
5. **DO NOT** overload the equipment and **DO NOT** try to exceed personal strength levels.
6. Children under the age of 14 must be supervised by an adult.
7. **DO NOT** remove any safety labels from the ELEIKO-equipment. ELEIKO is not responsible if a label is removed. Replace damaged labels immediately.
8. Eleiko package for products can be made of wood, be aware of splinters, **MUST** use gloves and proper work wear.
9. Eleiko package material could be a risk when handling, be aware of crushing, **MUST** use work wear including gloves and hard shoes.
10. Eleiko products and packing material is heavy, **MUST** use proper lifting technique, work wear and hard shoes.

PREVENTITIVE MAINTENANCE & INSPECTIONS .

REGULARLY:

Clean the surfaces on frames and tubes from dust and dirt.

Check that all bolts between parts, walls, floors are properly tightened, according to recommendations.

Check equipment for sharp edges and replace if necessary.

Check tubes and welds for cracks or other defects, replace if necessary.

WARRANTY

All products manufactured by ELEIKO are warranted to the original purchaser to be free from defects in workmanship and / or materials under normal use or service as follows:

10 years on welds on structural frame (NOT on moving parts)

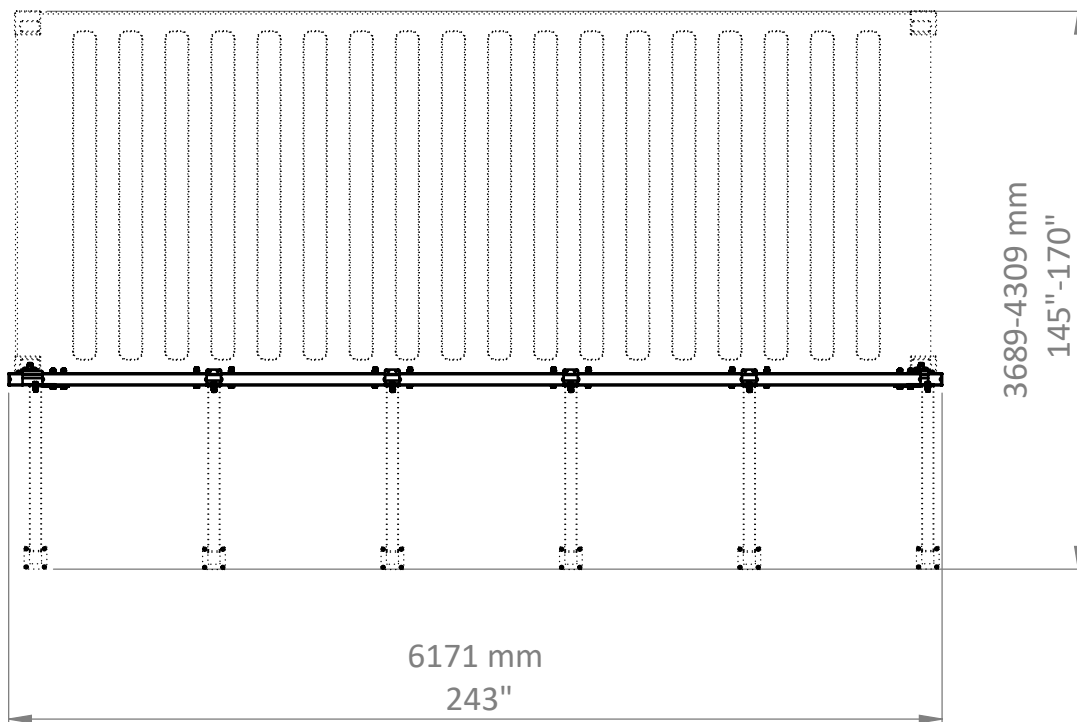
Normal wear and tear does not fall under the warranty of two years.

PRODUCT SPECIFICATIONS

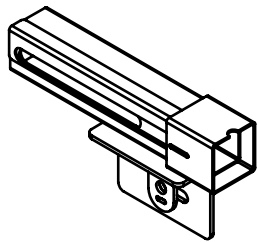
Rig suspension assembled on a container

Product weight	92 kg / 203 lbs
Dimensions (L x W x H)	6171x3689 - 4309x2780 mm 243"x145" - 170"x 109,5"

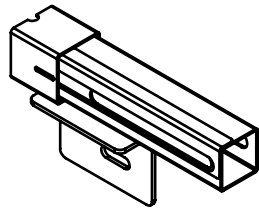
FOOTPRINT AREA



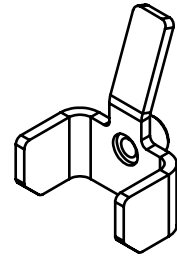
CONTENTS



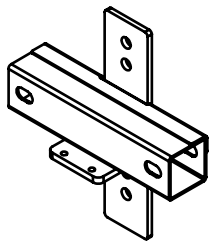
Corner Left
(x1)



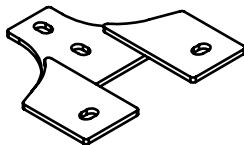
Corner Right
(x1)



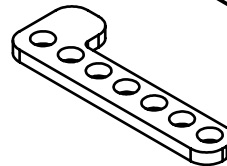
Bracket inside corner
(x2)



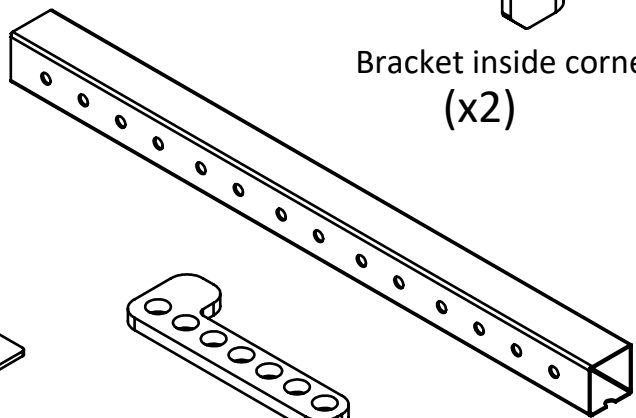
Connection Container Rig
(x4)



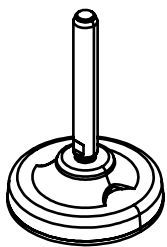
End Bracket
(x2)



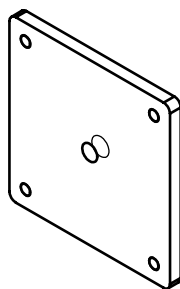
L-Plate
(x4)



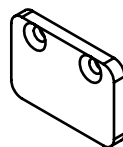
Tube 80x80x3, L=1084
(x5)



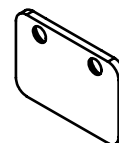
Stainless steel
jointed foot
(x6)



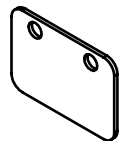
Leg plate
(x6)



Spacer 10mm
(x4)



Spacer 6mm
(x4)



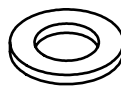
Spacer 3mm
(x8)



Screw M6S
M16x120
(x18)



Nut, M16
(x24)



Washer BRB
17x30x3
(x58)



MF6S 10 x 30
(x8)

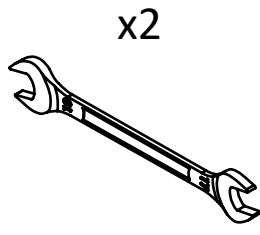
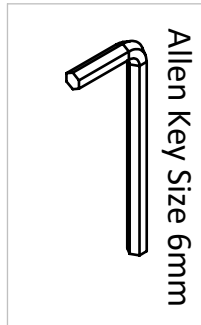


Screw M6S
M16x50
galvanized
(x12)

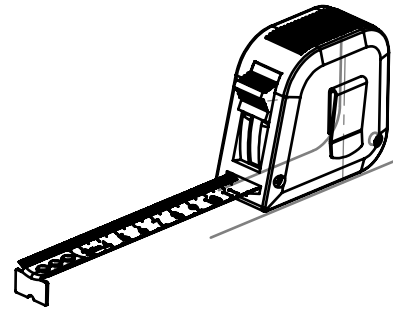


Screw K6S,
M10 x 16
(x24)

REQUIRED TOOLS



Spanner 24 mm



Measuring tape

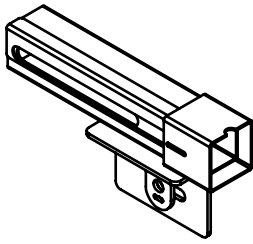
GENERAL

The table below is general torque to use for different threads. Use these torques, if nothing else is set. Below numbers are for screw/nut of quality 8.8.

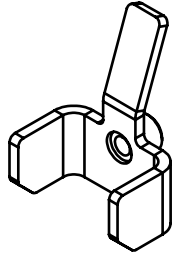
THREAD	TORQUE (Nm / ftlb) Quality 8.8
M10	47 / 34,7
M16	60 / 44

ASSEMBLY INSTRUCTIONS

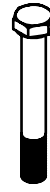
1.



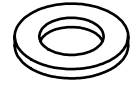
Corner Left
(x1)



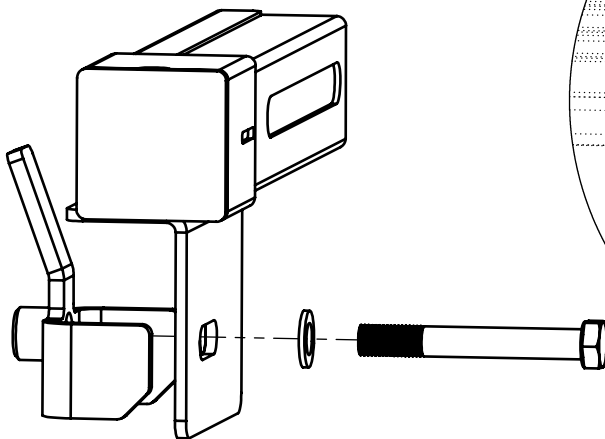
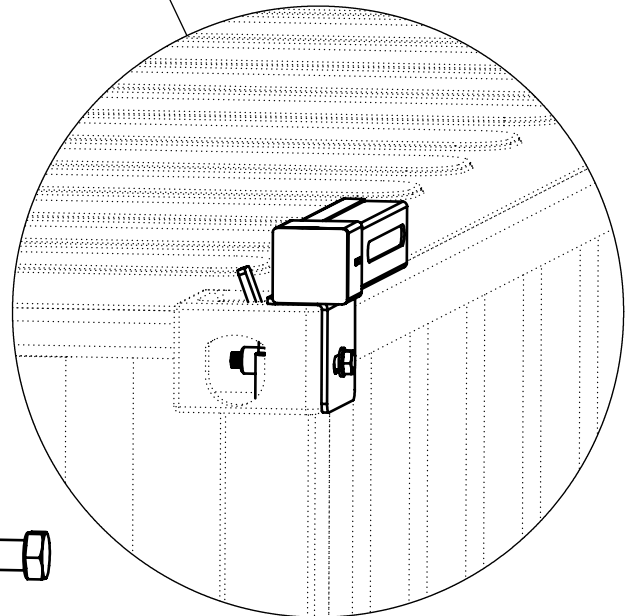
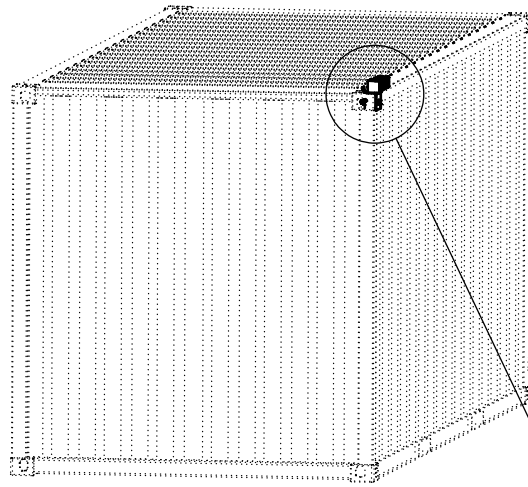
Bracket inside corner
(x1)



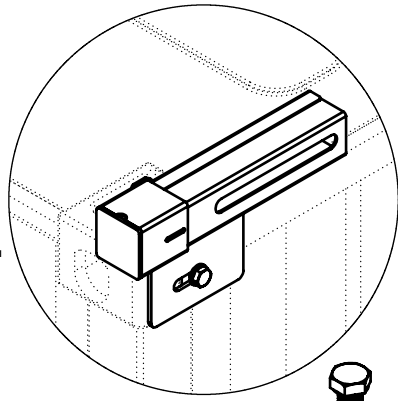
Screw M6S
M16x120
(x1)



Washer BRB
17x30x3
(x1)



2.



Washer BRB
17x30x3
(x5)

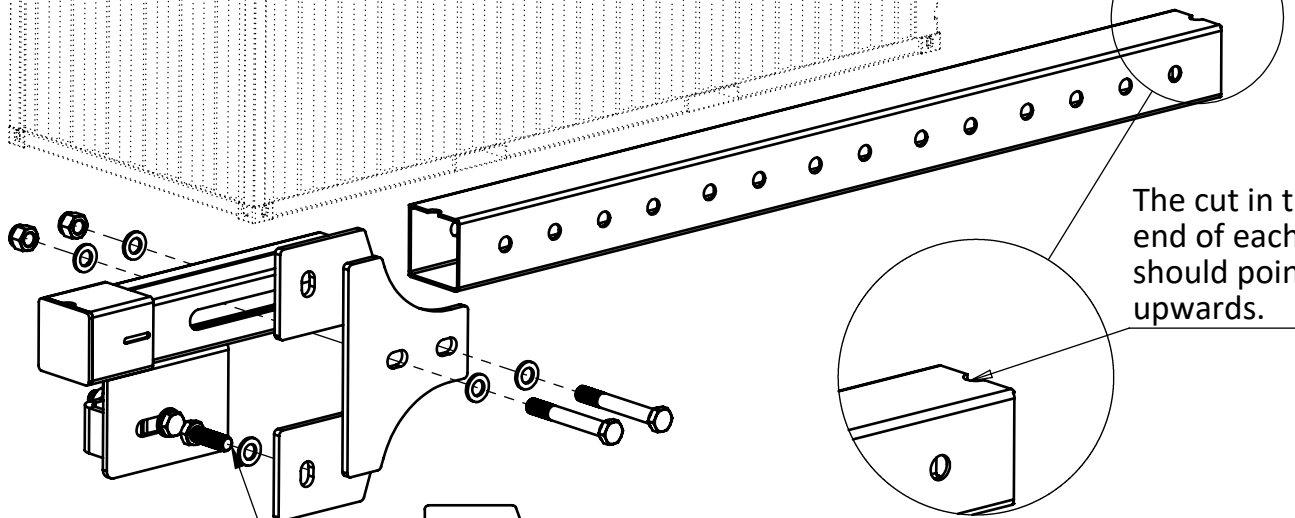
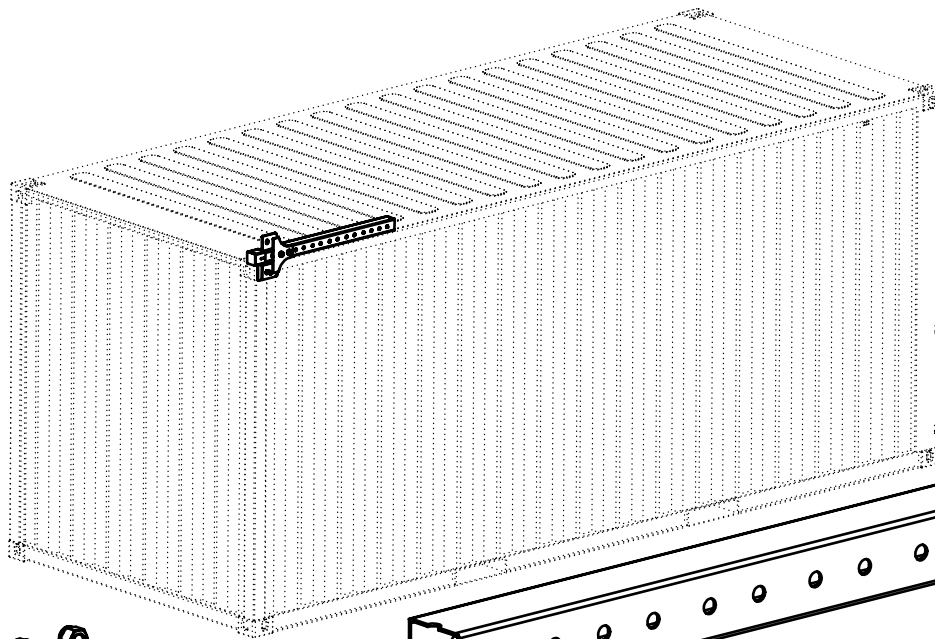
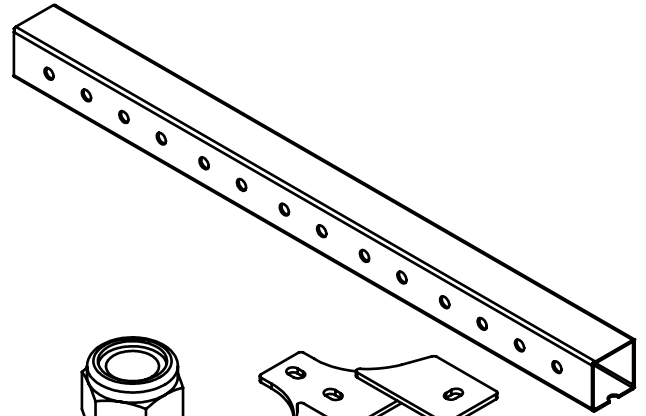
Screw M6S
M16x50
galvanized
(x1)

Screw M6S
M16x120
(x2)

Nut, M16
(x2)

End Bracket
(x1)

Tube
80x80x3,
L=1084
(x1)



The cut in the end of each tube should point upwards.

Assemble the screw M16x50 + washer. The screw will be used later on for rig parts.

The "End Bracket" and the tube should be aligned.

133

Measure the length

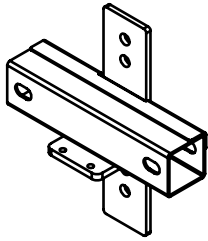


ELEIKO

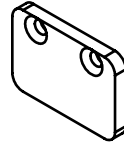
3.



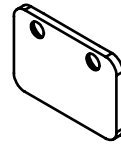
MF6S 10 x 30
(x8)



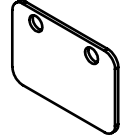
Connection
Container Rig
(x4)



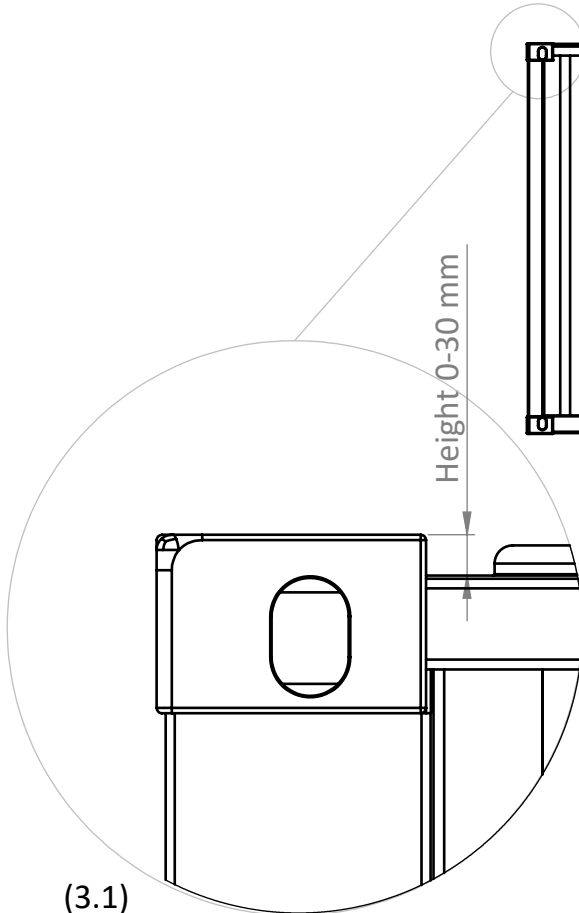
Spacer 10mm
(x4)



Spacer 6mm
(x4)

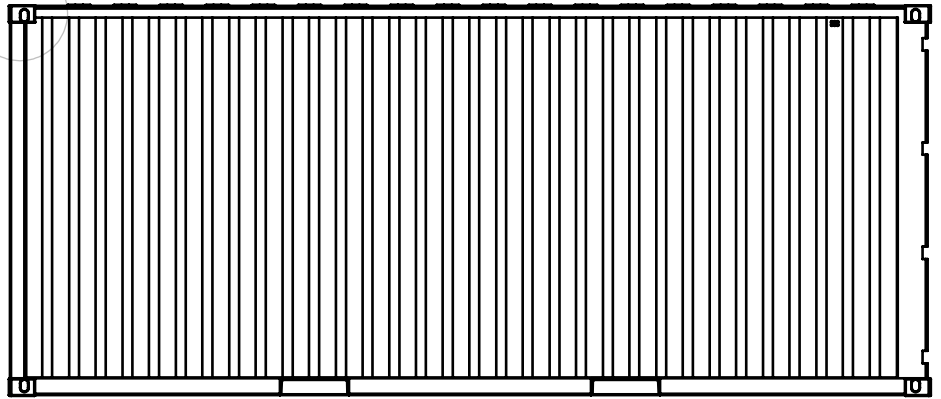


Spacer 3mm
(x8)



(3.1)

0-30 mm



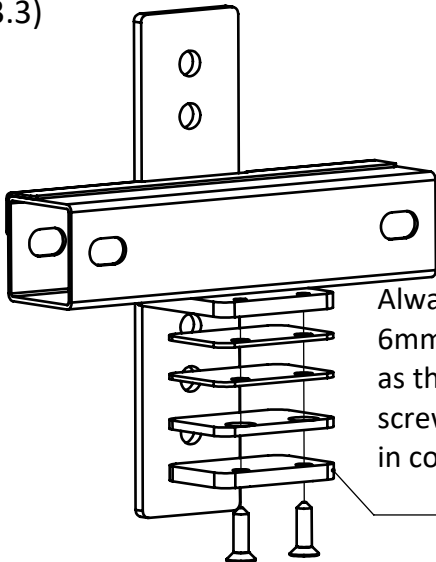
Measure the container according to the drawing (3.1) and choose right amount of Spacers for your installation.

If the distance is 0-8 mm, use only the "Connection Container Rig" Spacers and screws MF6S 10x35 are not needed.

(3.2)

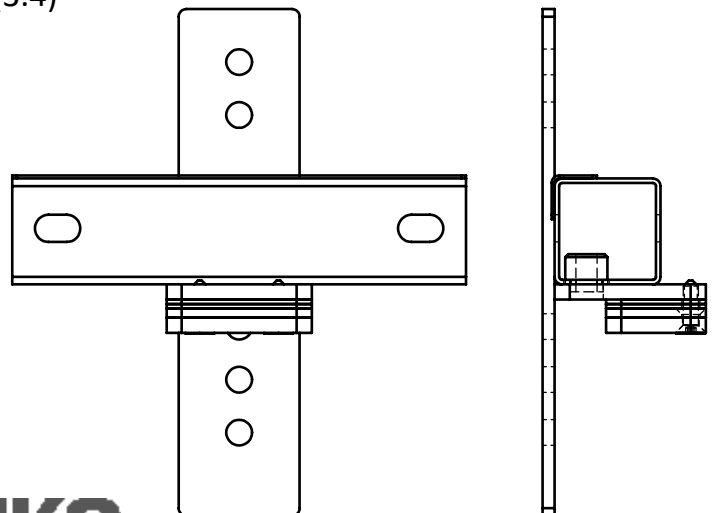
Height mm	Spacer 10mm	Spacer 6mm	Spacer 3mm
0-8			
9-14		1	
15-17	1		
18-20	1		1
21-23	1	1	
24-26	1	1	1
27-30	1	1	2

(3.3)



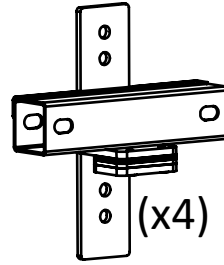
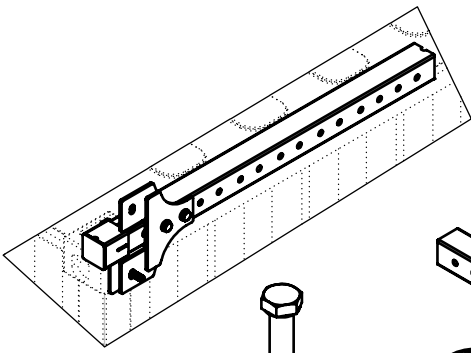
Always assemble Spacer 6mm or 10mm as the last spacer. The screw will only fit in countersunk holes.

(3.4)



ELEIKO

4.



(x4)



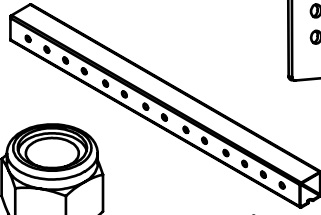
Washer BRB
17x30x3
(x28)



Screw M6S
M16x120
(x16)



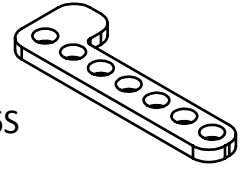
Nut, M16
(x8)



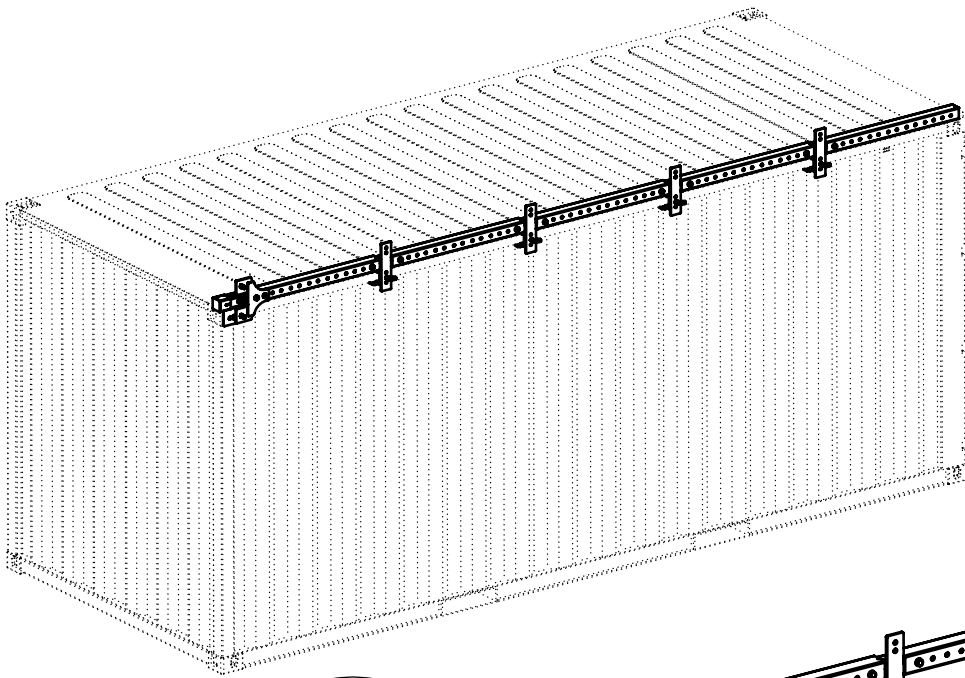
Tube
80x80x3,
L=1084
(x5)



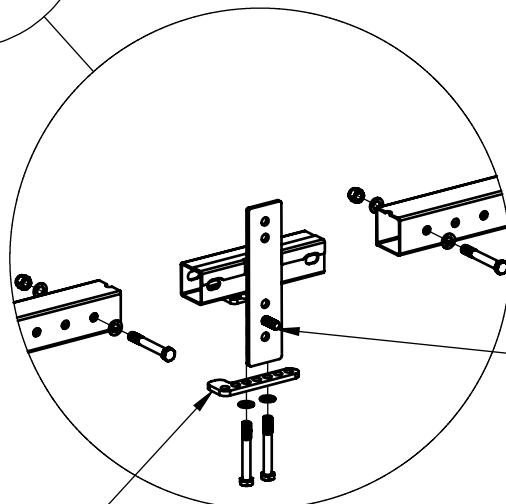
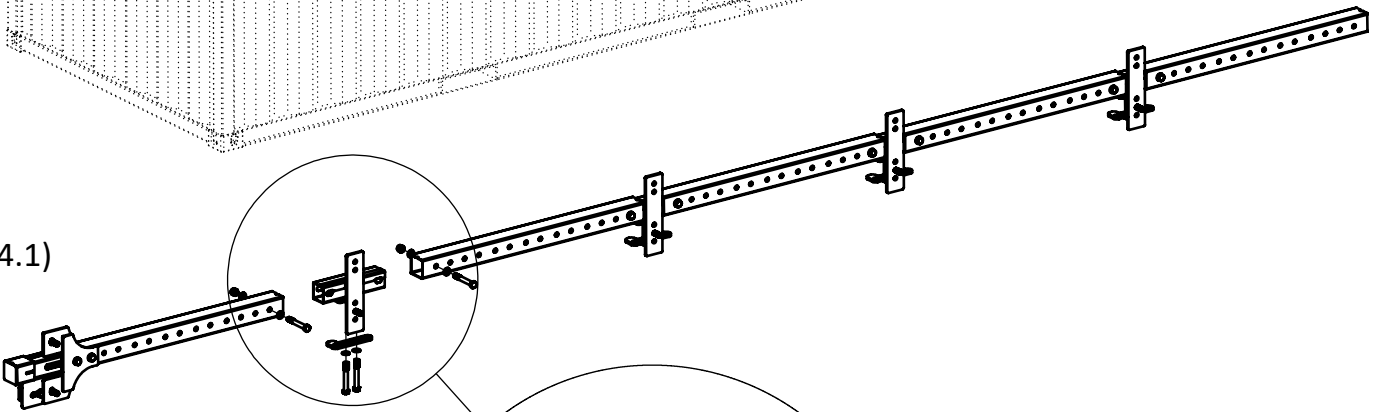
Screw M6S
M16x50
galvanized
(x4)



L-Plate
(x4)



(4.1)



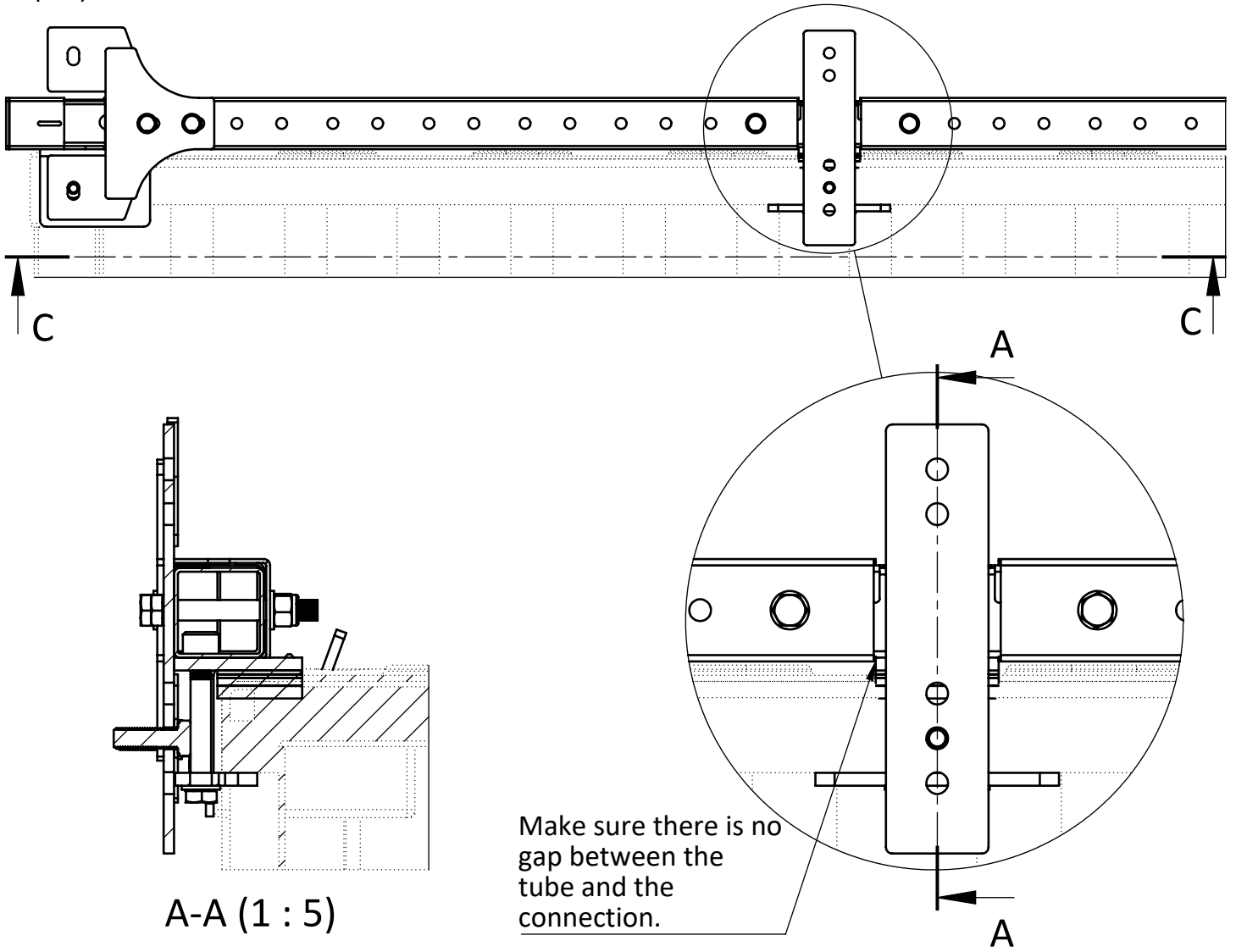
Assemble the screw
M16x50 +washer
before the L-Plate.
The screw will be
used later for rig
parts.

The L-Plate will tighten
connection and container
together,
choose a suitable hole
pattern to get the plate in the
correct position.

More details on
the next page



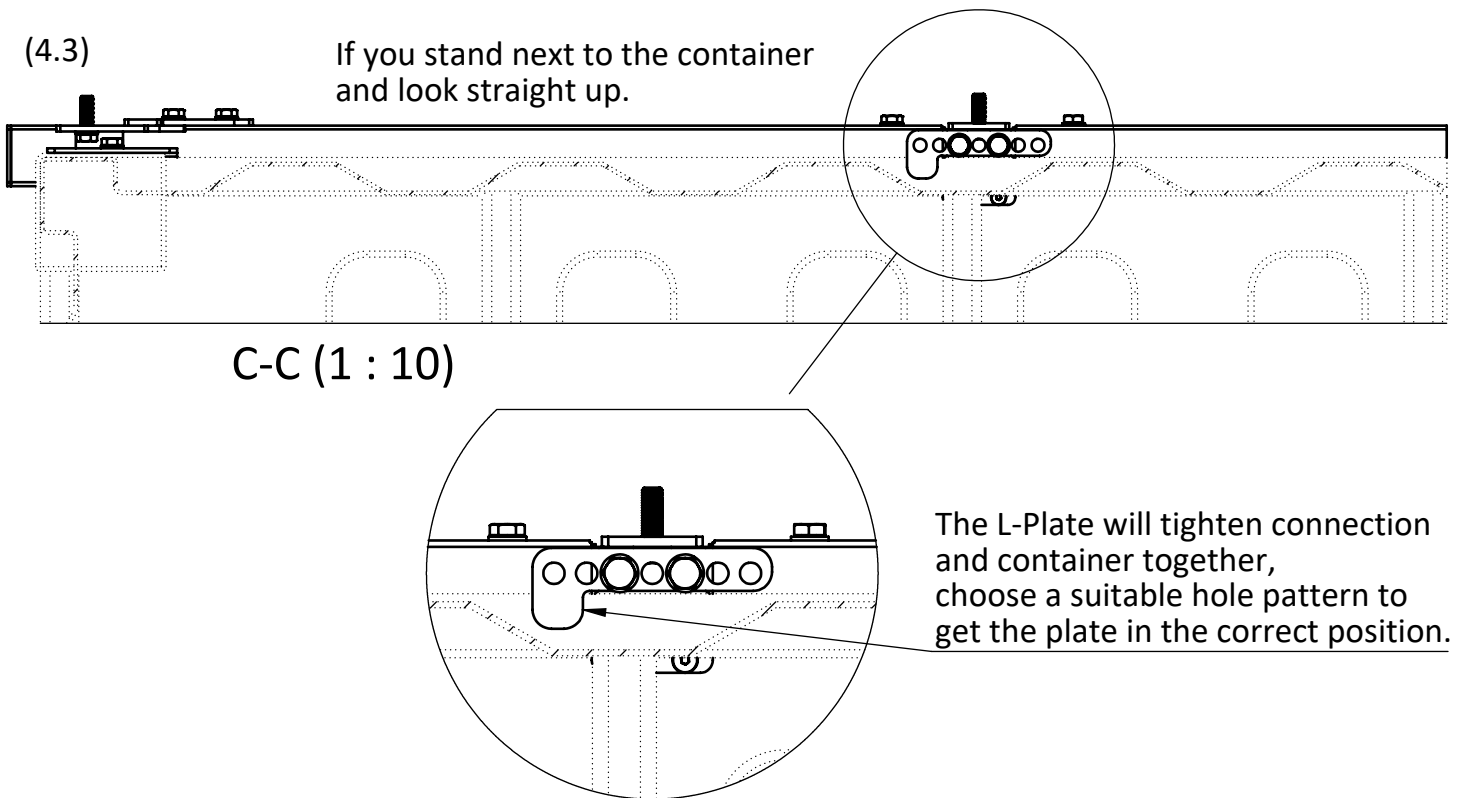
(4.2)



A-A (1 : 5)

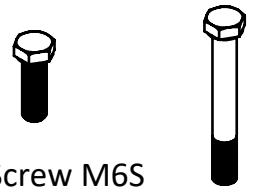
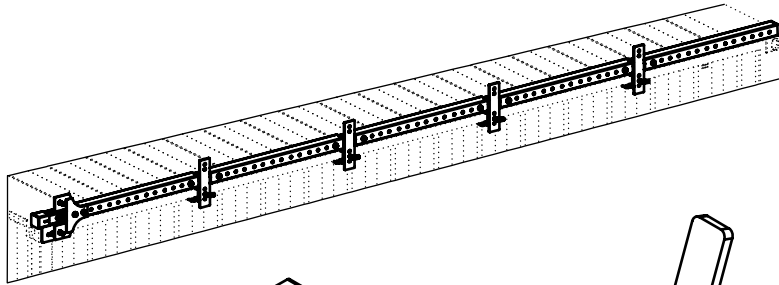
(4.3)

If you stand next to the container and look straight up.



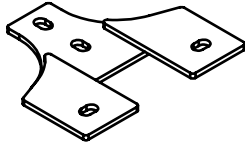
C-C (1 : 10)

5.

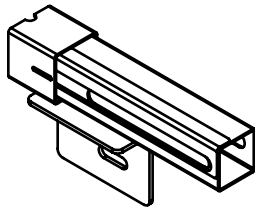


Screw M6S
M16x50
galvanized
(x1)

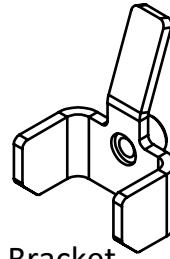
Screw M6S
M16x120
(x3)



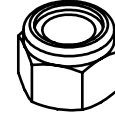
End Bracket
(x1)



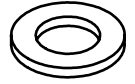
Corner Right
(x1)



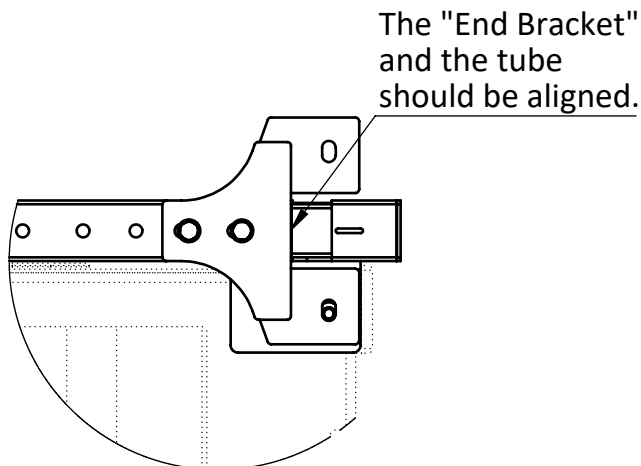
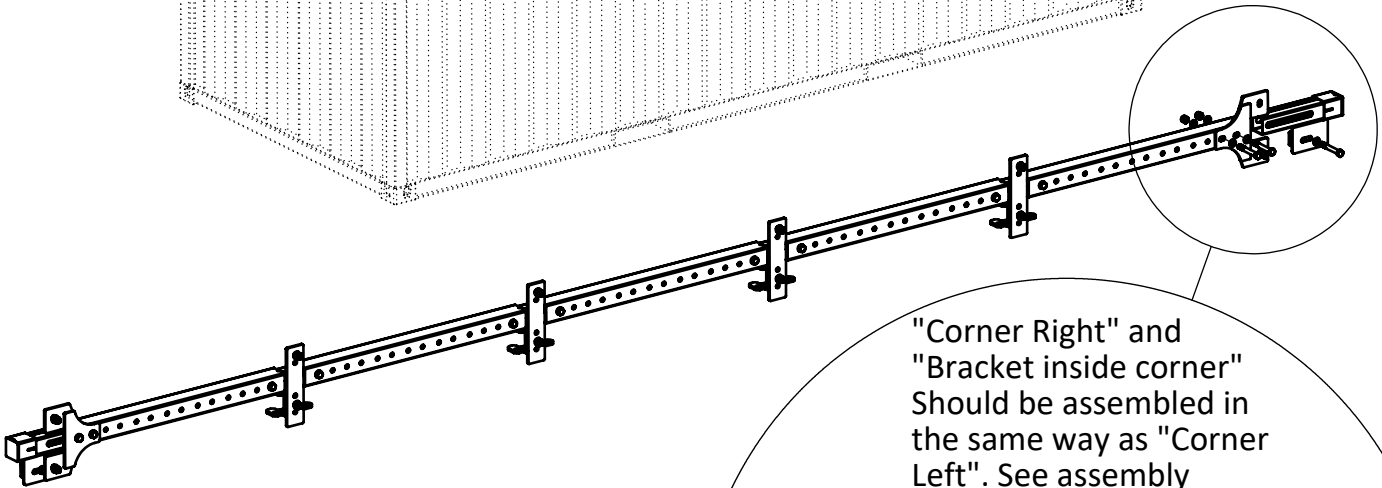
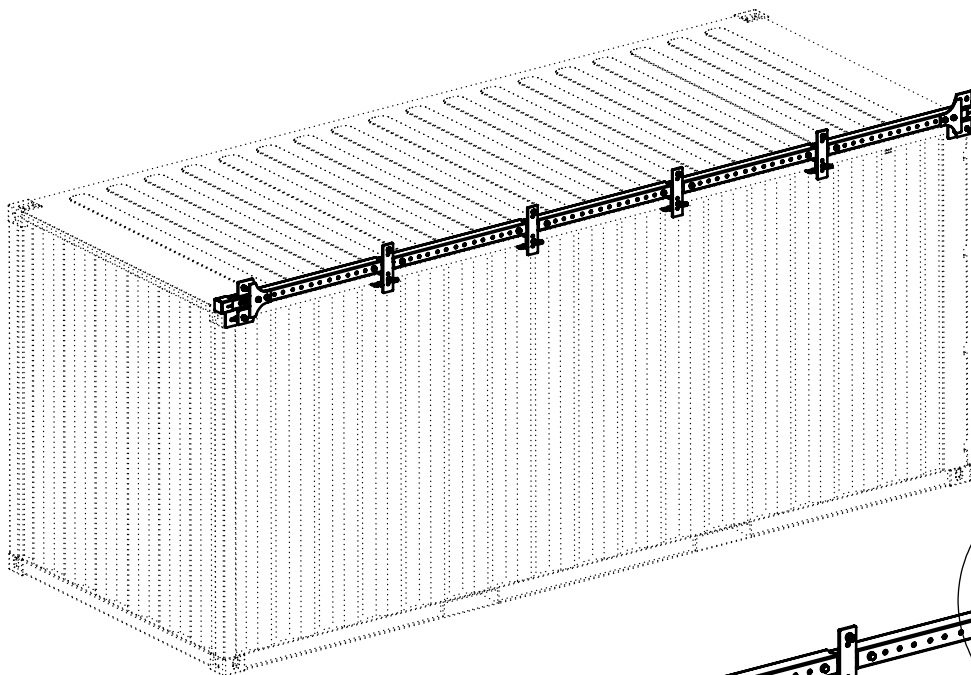
Bracket
inside corner
(x1)



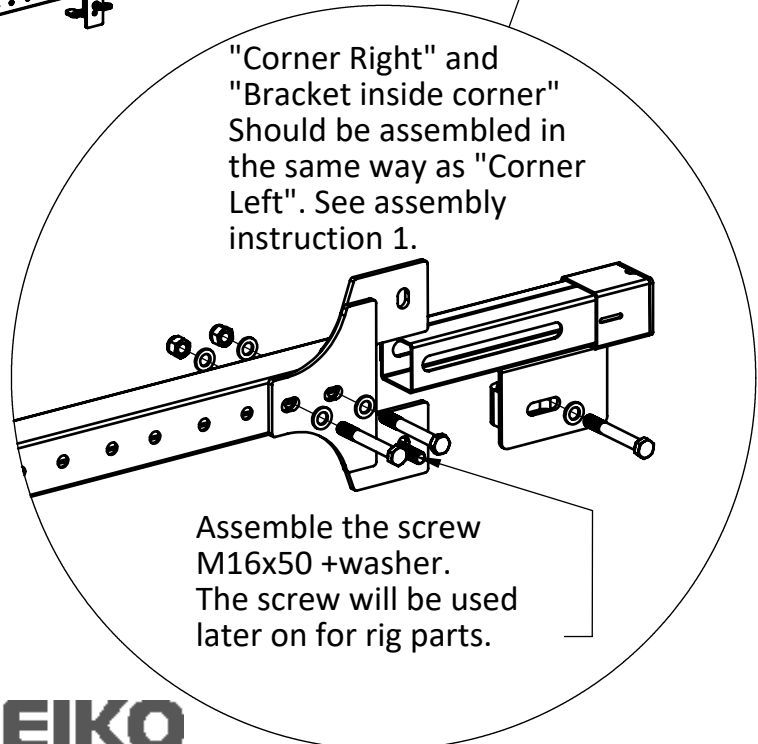
Nut, M16
(x2)



Washer BRB
17x30x3
(x6)



The "End Bracket"
and the tube
should be aligned.



"Corner Right" and
"Bracket inside corner"
Should be assembled in
the same way as "Corner
Left". See assembly
instruction 1.

Assemble the screw
M16x50 +washer.
The screw will be used
later on for rig parts.


6.



Screw K6S,
M10 x 16
(x24)



Screw M6S
M16x50
galvanized
(x6)



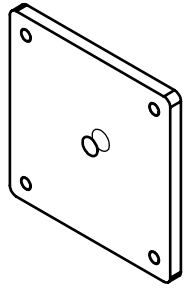
Washer BRB
17x30x3
(x18)



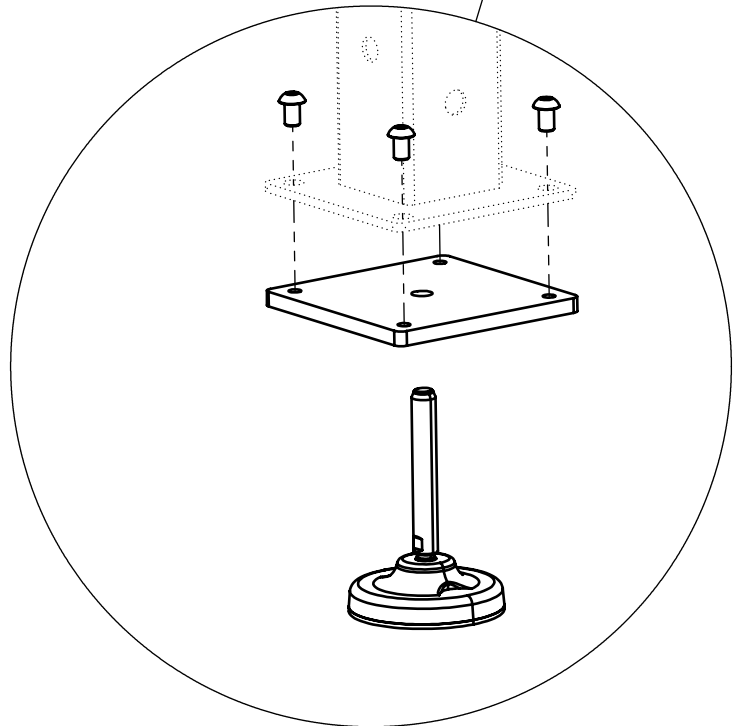
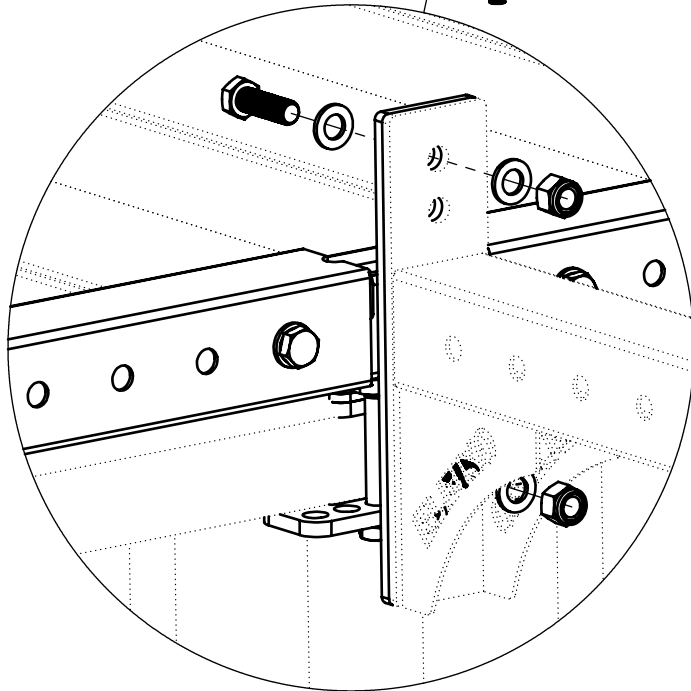
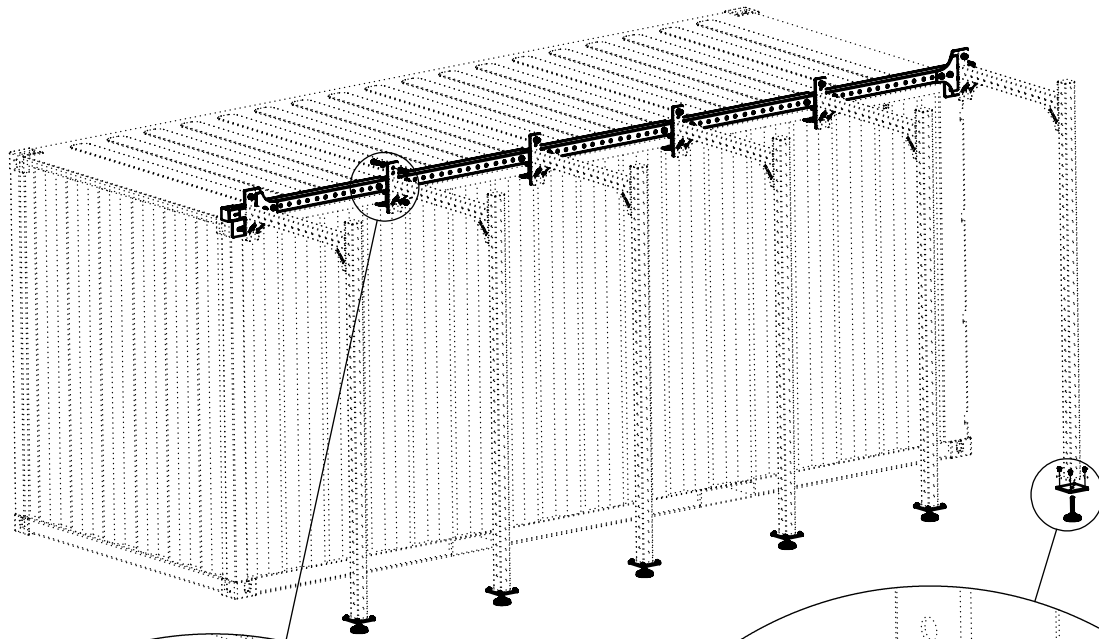
Nut, M16
(x12)



Stainless steel
jointed foot
(x6)



Leg plate
(x6)



The height of all Jointed feet need to be adjusted according to ground level.

ELEIKO

RAISE THE BAR

Eleiko Group AB | Klastorpsvägen 18 | SE-302 62 HALMSTAD | Sweden
E-mail: info@eleiko.com | Phone: +46 35 17 70 70

www.eleiko.com